

Part Number PRX+1150-0000 Contact Form A Switch Configuration SPST Rev. A

Press-Fit Proximity Sensor for Burglar Alarm Industry

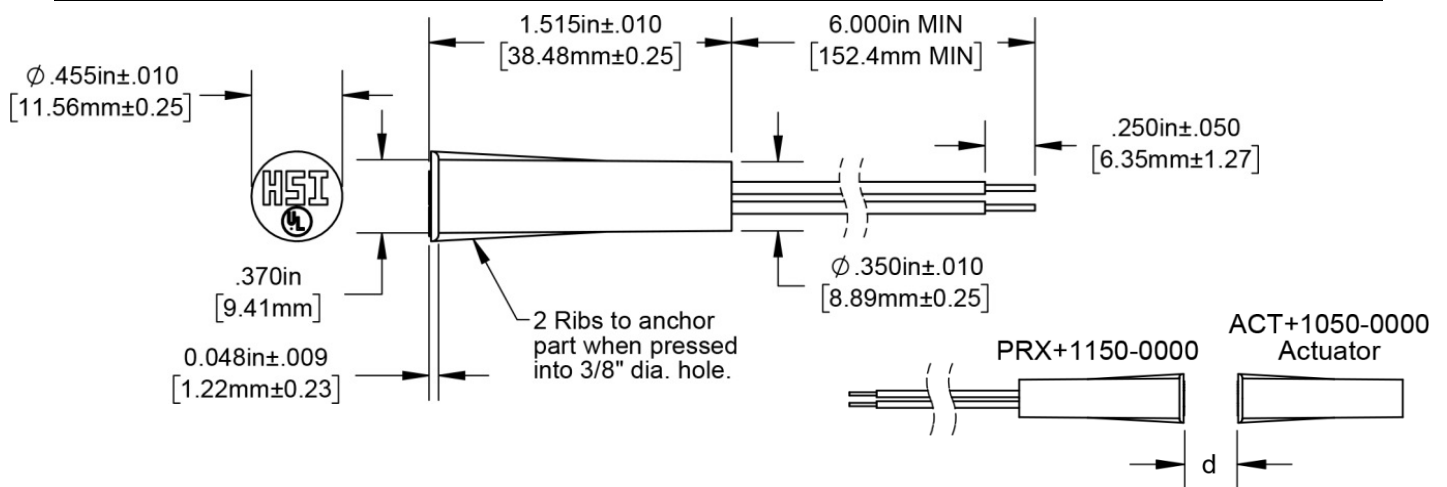
Features	Advantages
<ul style="list-style-type: none"> • Hermetically sealed contacts • Recessed housing design • Resists magnetic tamper • RoHS compliant 	<ul style="list-style-type: none"> • UL 634 Listed • Simple Installation • Not ESD sensitive

Electrical Specifications

Power		Watts - maximum	4
Voltage	Switching	VDC - maximum	100
	Breakdown	VDC - minimum	200
Current	Switching	Amp - maximum	0.2
	Carry	Amp - maximum	2
Resistance	Initial Contact Resistance	Ohm - maximum	.25
	Insulation Resistance	Ohm - minimum	1 E11
Capacitance	Contact	pF - typical	0.8
Temperature	Operating	°C - maximum	-40 to +80
	Storage	°C	-40 to +80

Physical/Operational Specifications

Housing Volume	Excluding Connection	CC- nominal	4
External Connection	22AWG	UL 1007	PVC
Must Operate	Distance (d)	Inches	0.250
Must Release	Distance (d)	Inches	.750
Operate Time	Including Bounce	mSeconds - maximum	0.60
Release Time		mSeconds - maximum	0.10



Notes:

- (1) Specifications are not constant across entire magnetic range.
- (2) Customer must exercise care in handling and mounting to prevent damage to internal components and subsequent changes to sensor performance.
- (3) For information about performance, custom configurations (i.e. wire length or color; connectors; operational variation), or packaging contact our Sales Department.
- (4) Information contained hereon is for informational purposes only and should not be deemed as accurate for a specific application. Consult factory for specific application information and/or latest revision.