

Part Number PRX+2462 Contact Form A Switch Configuration SPST Rev. D

World's Smallest Surface Mount Overmolded Reed Switch

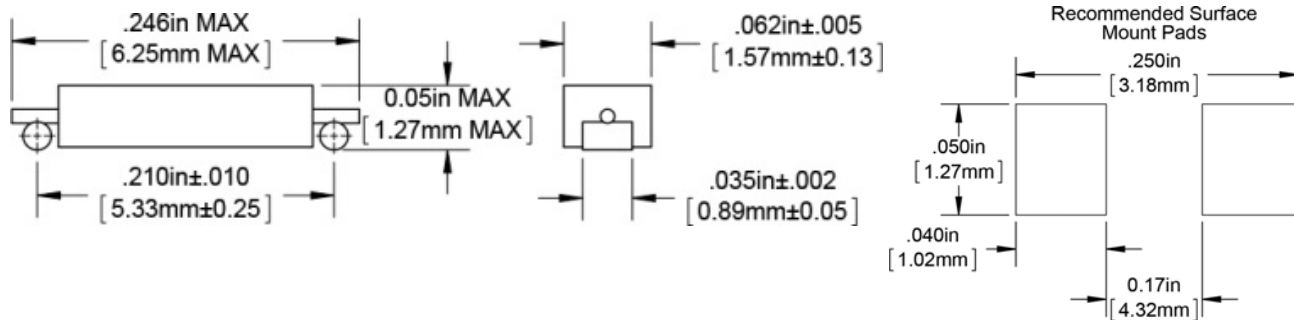
Features	Advantages
<ul style="list-style-type: none"> • Hermetically sealed contacts • Plaskon S-7 overmold material • No electrical power required to operate • Lowest profile magnetic contact sensor • External Gold plating • RoHS compliant 	<ul style="list-style-type: none"> • Extended operations in extreme environments • Not ESD sensitive • Pick and place capable • Custom sensitivity & configurations available

Electrical Specifications

Power		Watts - maximum	0.25
Voltage	Switching	VDC - maximum	30
	Breakdown	VDC - minimum	80
Current	Switching	Amp - maximum	0.01
	Carry	Amp - maximum	TBD
Resistance	Initial Contact Resistance	Ohm - maximum	1
	Insulation Resistance	Ohm - minimum	1 E11
Capacitance	Contact	pF - typical	0.7
Temperature	Operating	°C - maximum	-40 to +125
	Storage	°C	-40 to +200

Physical/Operational Specifications

Housing Volume	Excluding Connection	CC - nominal	0.007
External Connection		Alloy 52 Bars	Gold Plated
Must Operate	Field Strength	mT - maximum	3.75
Must Release	Field Strength	mT - minimum	1.5
Operate Time	Including Bounce	mSeconds - maximum	0.3
Release Time		mSeconds - maximum	0.2



Notes:

- (1) Specifications are not constant across entire magnetic range.
- (2) Customer must exercise in handling and mounting to prevent damage to internal components and subsequent changes to sensor performance.
- (3) For information about performance, custom configuration (i.e. wire length or color; connectors; operational variation), or packaging contact our Sales department,
- (4) Information contained hereon is for informational purposes only and should not be deemed as accurate for a specific application. Consult factory for specific application information and/or latest revision.