

Part Number PRX+13340(M)-XXXX Contact Form C Switch Configuration SPDT Rev. C

SPDT Leverless Limit Switch

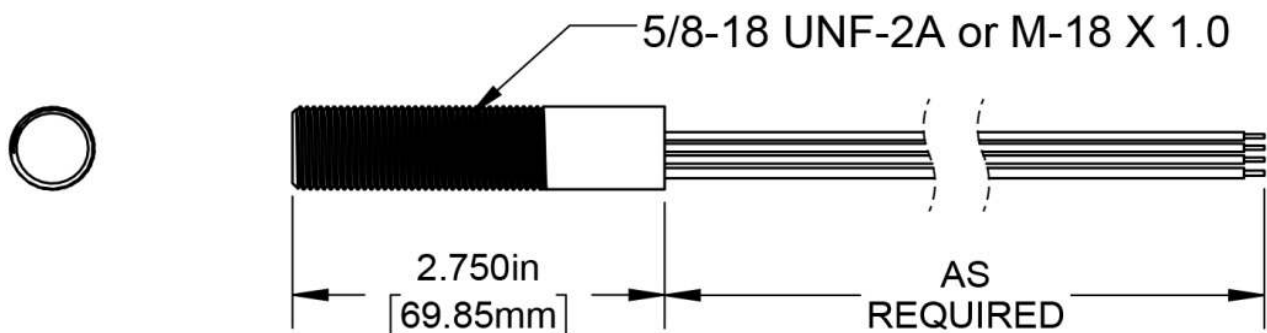
Features	Advantages
<ul style="list-style-type: none"> • No-touch sensing • 300 series stainless steel housing • Capable of switching power loads between 3 and 100 watts • Maintains stable contact resistance in high power/high voltage applications • 3A/120VAC, 2A/240VAC, 2A/24VDC 	<ul style="list-style-type: none"> • High performance. Proven dependability • Vacuum sealed contact for reliability in extreme environments • Not ESD sensitive

Electrical Specifications

Power		Watts - maximum	100
Voltage	Switching	VDC - maximum	500
	Breakdown	VDC - minimum	500
Current	Switching	Amp - maximum	3
	Carry	Amp - maximum	3.2
Resistance	Initial Contact Resistance	Ohm - maximum	2.0
	Insulation Resistance	Ohm - minimum	1 E10
Capacitance	Contact	pF - typical	3.0
Temperature	Operating	°C - maximum	-50 to +105
	Storage	°C	-50 to +105

Physical/Operational Specifications

Housing Volume	Excluding Connection	CC - nominal	0.73
External Connection	18, 20, or 22 AWG	UL1180	Extruded TFE Leads
Must Operate	Distance	Inches	0.400*
Must Release			N/A
Operate Time	Including Bounce	mSeconds - maximum	4.200
Release Time		mSeconds - maximum	3.700



Certifications

UL 1203, Explosion-Proof and Dust-Ignition-Proof Electrical Equipment for use in Hazardous (Classified) Locations

UL 508 and C22.2 No. 14-13, Industrial Control Equipment

C22.2 No. 25-1966, Enclosures for use in Class II, Groups E, F, and G Hazardous Locations

C22.2 No. 30-M1986, Explosion-Proof Enclosures for use in Class I Hazardous Locations

IECEx

ATEX Directive 2014/34/EU

Low Voltage Directive 2014/35/EU

RoHS2 Directive 2011/65/EU





Phone: (405) 224-4046 Fax: (405) 224-9423
 Email: Info@HSISensing.com Web: www.hsisensing.com
 Address: 3100 Norge Road, Chickasha, OK 73018

Part Number PRX+13340(M)-XXXX Contact Form C Switch Configuration SPDT Rev. C

Model Number	Wiring Options
PRX+13340 5/8" x 3 5/8" - 1/2 NPT conduit PRX+13340M 18M x 92mm - 1/2" NPT conduit	Lead Wires - 18 Guage L036 = 36" L072 = 72" L144 = 144" L ___ Custom Length enter in inches
-	

Example Part Number
PRX+13340-L036

Notes:

- (1) Customer must exercise care in handling and mounting to prevent damage to internal components and subsequent changes to sensor performance.
- (2) For information about performance, custom configuration (i.e. wire length or color; connectors; operational variation), or packaging contact our Sales department
- (3) Information contained hereon is for informational purposes only and should not be deemed as accurate for a specific application. Consult factory for specific application information and/or latest revision.
- (*) Operate Point determined using 1/2" Dia. X 3/8" thick disc made of NeFe3, Grade 42.