

Part Number **PRX+12205-0000**

 Rev. A

High Security Solid State Proximity Sensor

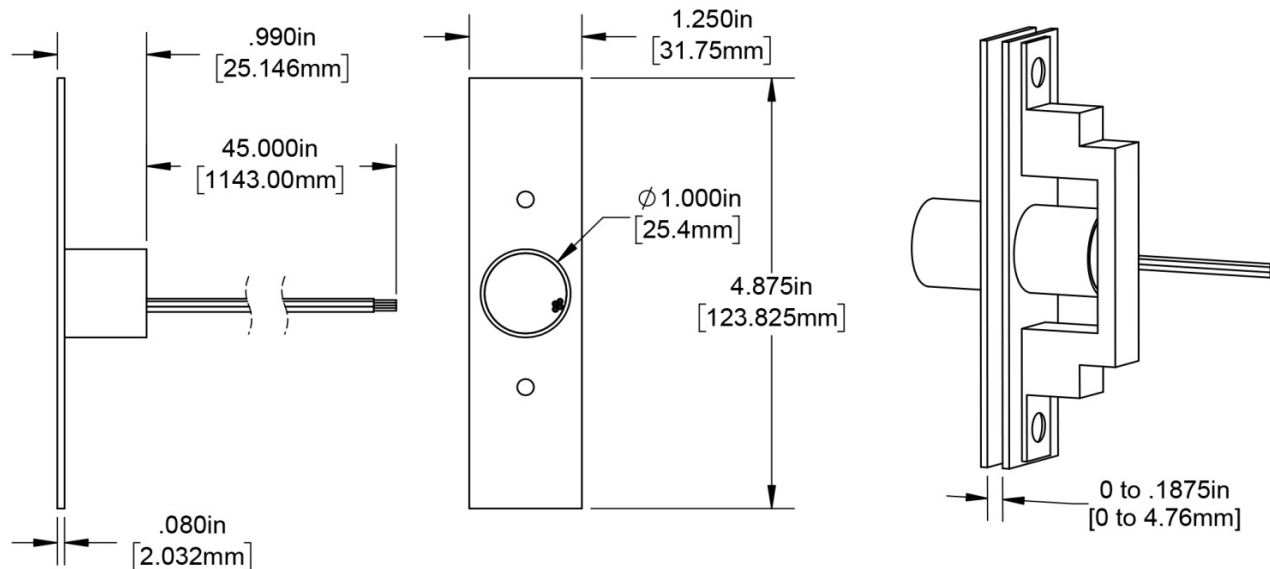
Features	Advantages
<ul style="list-style-type: none"> • High sensitivity anti-tamper • Unique output for misalignment • Standard ANSI Mount • UL 634 Level 2 Certified • ULC/ORD-C634 Level 2 Certified 	<ul style="list-style-type: none"> • Solid state reliability • Insensitive to vibration and shock • Suitable for indoor or outdoor use

Electrical Specifications

Power		Watts - maximum	6
Voltage		VDC - maximum	30
Current		Amp - maximum	0.2
	Open Circuit Leakage	μAmp - maximum	10
Resistance	Closed Circuit Resistance	Ohm - maximum	.9
Temperature	Operating	°C	-35° to 70°
	Storage	°C	-35° to 70°

Physical/Operational Specifications

Housing Material			Aluminum
Air Gap Range	Distance	Inches	0 to 0.1875
External Connection	22 AWG	UL1007	PVC
Lateral Alignment	Distance	Inches	0.1875
Mounting Environment	Indoor or Outdoor	Ingress or Egress Doors	Ferrous or Nonferrous Surfaces


Notes:

- (1) Specifications are not constant across entire magnetic range.
- (2) Customer must exercise care in handling and mounting to prevent damage to internal components and subsequent changes to sensor performance.
- (3) For information about performance, custom configurations (i.e. wire length or color; connectors; operational variation), or packaging contact our Sales Department.
- (4) Information contained hereon is for informational purposes only and should not be deemed as accurate for a specific application. Consult factory for specific application information and/or latest revision.
- (5) Options: alternate internal resistors
- (6) Additional Parts Included: 4 undercut thread cutting screws (#12-24 X 1/2), 2 undercut screws (#8-32 X 3/8")
- (7) See Sentinel Instruction and Owner's Manual for additional information