

Item Number HSR-900R Series Contact Form A Switch Configuration SPST Rev. H

Form A Miniature High Voltage Switch

Features	Advantages
<ul style="list-style-type: none"> • Vacuum sealed Rhodium contacts • Leaded glass currently exempted from RoHS requirements • Durable construction 	<ul style="list-style-type: none"> • Extended operations in extreme environments • Not ESD sensitive • High voltage holdoff and switching ability • RF version available

Electrical Specifications

Power		Watts - maximum	25
Voltage	Switching	VDC - maximum	500
	* Breakdown	VDC - minimum	2000
Current	Switching	Amp - maximum	1.0
	Carry	Amp - maximum	2.2
Resistance	Initial Contact Resistance	Ohm - maximum	0.15
	Insulation Resistance	Ohm - minimum	1 E11
Capacitance	Contact	pF - typical	0.6
Temperature	Operating	°C	-60 to +125
	Storage	°C	-100 to +200

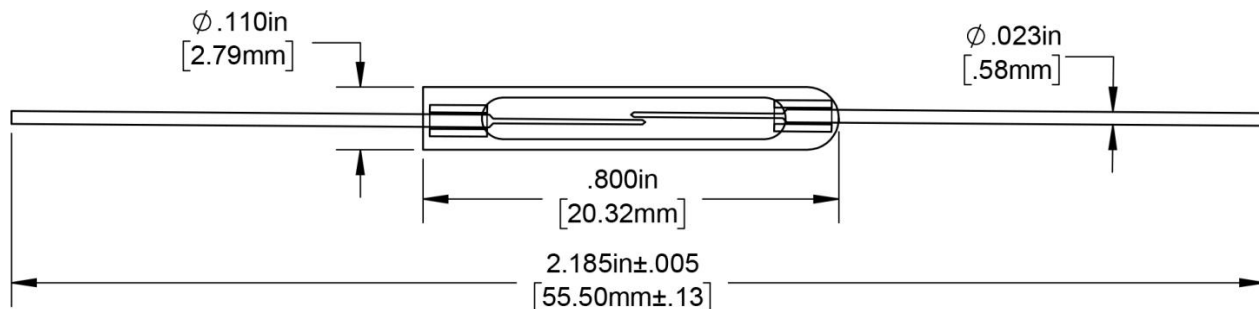
Magnetic Specifications

Pull - In Range		Ampere Turns	15-40
Test Coil		NARM RS-421-A	Coil II

Physical/Operational Specifications

Capsule Volume	Excluding Leads	CC - nominal	0.12
Contact Material			Rhodium
Operate Time	Including Bounce	mSeconds - maximum	1.10
Release Time		mSeconds - maximum	0.90

* Breakdown/Hold-Off Voltage is dependent upon switch sensitivity



Notes:

- (1) Specifications are not constant across entire magnetic range.
- (2) Customer must exercise care in handling, mounting, lead forming, and cutting to prevent damage to glass capsule and/or switch sensitivity.
- (3) For information about performance, custom configurations, mounting options or packaging contact our Sales department.
- (4) Information contained hereon is for informational purposes only and should not be deemed as accurate for a specific application. Consult factory for specific application information and/or latest revision.