

Item Number HSR-637W Series Contact Form C Switch Configuration SPDT Rev. B

Form C Universal Power Switch

| Features | Advantages |
|---|---|
| <ul style="list-style-type: none"> • Hermetically sealed Tungsten contacts • Materials are Lead free and RoHS compliant • Capable of switching both low and high power loads | <ul style="list-style-type: none"> • Designed for universal power relays or proximity sensors • Low and stable contact resistance • Extended operations in extreme environments • Not ESD sensitive |

Electrical Specifications

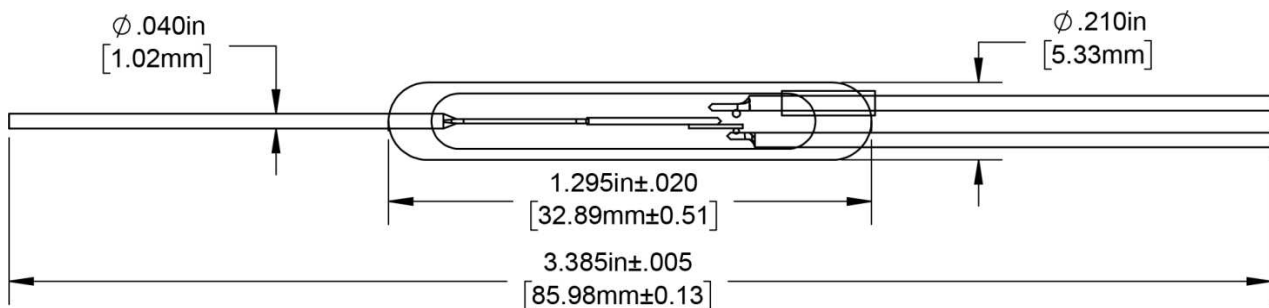
| | | | |
|-------------|----------------------------|-----------------|-------------|
| Power | | Watts - maximum | 100 |
| Voltage | Switching | VDC - maximum | 120 |
| | Breakdown | VDC - minimum | 150 |
| Current | Switching | Amp - maximum | 3.0 |
| | Carry | Amp - maximum | 3.6 |
| Resistance | Initial Contact Resistance | Ohm - maximum | 0.50 |
| | Insulation Resistance | Ohm - minimum | 1 E10 |
| Capacitance | Contact | pF - typical | 1.6 |
| Temperature | Operating | °C | -40 to +125 |
| | Storage | °C | -40 to +200 |

Magnetic Specifications

| | | | |
|-----------------|--|---------------|---------|
| Pull - In Range | | Ampere Turns | 60-100 |
| Test Coil | | NARM RS-421-A | Coil IV |

Physical/Operational Specifications

| | | | |
|------------------|------------------|--------------------|----------|
| Capsule Volume | Excluding Leads | CC - nominal | 0.74 |
| Contact Material | | | Tungsten |
| Operate Time | Including Bounce | mSeconds - maximum | 4.00 |
| Release Time | | mSeconds - maximum | 3.90 |



Notes:

- (1) Specifications are not constant across entire magnetic range.
- (2) Customer must exercise care in handling, mounting, lead forming, and cutting to prevent damage to glass capsule and/or switch sensitivity.
- (3) For information about performance, custom configurations, mounting options or packaging contact our Sales department.
- (4) Information contained hereon is for informational purposes only and should not be deemed as accurate for a specific application. Consult factory for specific application information and/or latest revision.