

Item Number HSR-630R Series Contact Form C Switch Configuration SPDT Rev. G

Form C Standard Switch

| Features | Advantages |
|--|--|
| <ul style="list-style-type: none"> • Hermetically sealed Rhodium contacts • Materials are Lead free and RoHS compliant • Industry standard size | <ul style="list-style-type: none"> • Not ESD sensitive • Extended operations in extreme environments |

Electrical Specifications

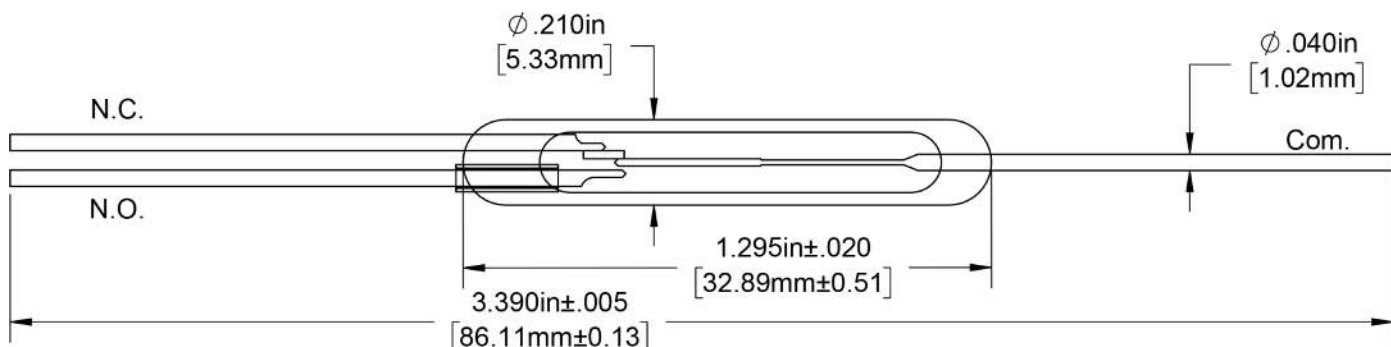
| | | | |
|-------------|----------------------------|-----------------|-------------|
| Power | | Watts - maximum | 25 |
| Voltage | Switching | VDC - maximum | 150 |
| | Breakdown | VDC - minimum | 350 |
| Current | Switching | Amp - maximum | 1.0 |
| | Carry | Amp - maximum | 6.2 |
| Resistance | Initial Contact Resistance | Ohm - maximum | 0.10 |
| | Insulation Resistance | Ohm - minimum | 1 E9 |
| Capacitance | Contact | pF - typical | 2.2 |
| Temperature | Operating | °C | -40 to +125 |
| | Storage | °C | -40 to +200 |

Magnetic Specifications

| | | | |
|-----------------|--|---------------|---------|
| Pull - In Range | | Ampere Turns | 40-80 |
| Test Coil | | NARM RS-421-A | Coil IV |

Physical/Operational Specifications

| | | | |
|------------------|------------------|--------------------|---------|
| Capsule Volume | Excluding Leads | CC - nominal | 0.74 |
| Contact Material | | | Rhodium |
| Operate Time | Including Bounce | mSeconds - maximum | 2.70 |
| Release Time | | mSeconds - maximum | 4.50 |



Notes:

- (1) Specifications are not constant across entire magnetic range.
- (2) Customer must exercise care in handling, mounting, lead forming, and cutting to prevent damage to glass capsule and/or switch sensitivity.
- (3) For information about performance, custom configurations, mounting options, or packaging, contact our Sales department.
- (4) Information contained hereon is for informational purposes only and should not be deemed as accurate for a specific application. Consult factory for specific application information and/or latest revision.