

Item Number HSR-980F Series Contact Form A Switch Configuration SPST Rev. E

**Form A High Voltage Switch for RF**

| Features  | Advantages   |
|---|--|
| <ul style="list-style-type: none"> <li>• Vacuum sealed Rhodium contacts</li> <li>• Leaded glass currently exempted from RoHS requirements</li> <li>• Voltage Breakdown determined at 100µA Max leakage current</li> </ul> | <ul style="list-style-type: none"> <li>• Q measurement at least 60% of pure Copper wire</li> <li>• Insertion loss &lt; 0.01dB up to 30MHz</li> <li>• RF Isolation &gt; 50dB up to 30MHz</li> </ul> |

**Electrical Specifications**

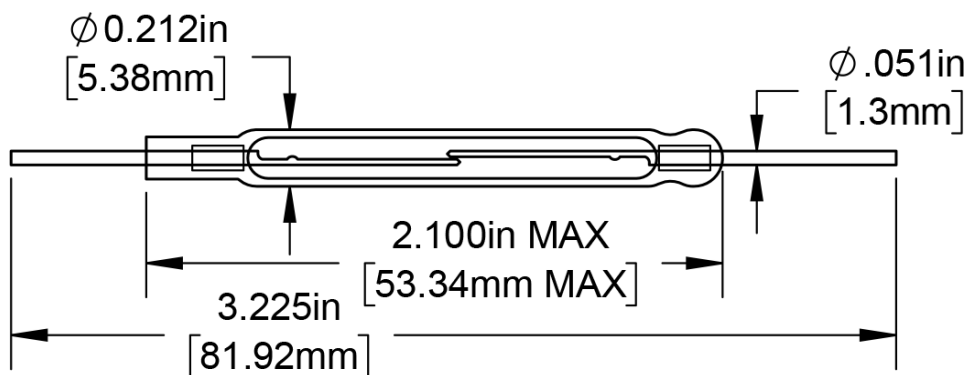
|             |                            |                 |              |
|-------------|----------------------------|-----------------|--------------|
| Power       |                            | Watts - maximum | 25           |
| Voltage     | Switching                  | VDC - maximum   | 500          |
|             | Breakdown                  | VDC - minimum   | 5,000        |
| Current     | Switching                  | Amp - maximum   | 1.5          |
|             | Carry                      | Amp - maximum   | 5.0          |
| Resistance  | Initial Contact Resistance | Ohm - maximum   | 0.10         |
|             | Insulation Resistance      | Ohm - minimum   | 1 E11        |
| Capacitance | Contact                    | pF - typical    | 1.0          |
| Temperature | Operating                  | °C              | -60 to +125  |
|             | Storage                    | °C              | -100 to +200 |

**Magnetic Specifications**

|                 |  |               |          |
|-----------------|--|---------------|----------|
| Pull - In Range |  | Ampere Turns  | 60-125   |
| Test Coil       |  | NARM RS-421-A | Coil III |

**Physical/Operational Specifications**

|                  |                  |                    |         |
|------------------|------------------|--------------------|---------|
| Capsule Volume   | Excluding Leads  | CC - nominal       | 1.21    |
| Contact Material |                  |                    | Rhodium |
| Operate Time     | Including Bounce | mSeconds - maximum | 3.00    |
| Release Time     |                  | mSeconds - maximum | 1.20    |



**Notes:**

- (1) Specifications are not constant across entire magnetic range.
- (2) Customer must exercise care in handling, mounting, lead forming, and cutting to prevent damage to glass capsule and/or switch sensitivity.
- (3) For information about performance, custom configurations, mounting options or packaging contact our Sales department.
- (4) Information contained hereon is for informational purposes only and should not be deemed as accurate for a specific application. Consult factory for specific application information and/or test results.