

Item Number HSR-907W Series Contact Form A Switch Configuration SPST Rev. P

Form A High Power and High Voltage Switch

Features	Advantages
<ul style="list-style-type: none"> • Vacuum sealed Tungsten contacts • Materials are Lead free and RoHS compliant • High voltage holdoff and switching ability • Voltage Hold-Off determined at 5µA Max leakage current 	<ul style="list-style-type: none"> • Suitable for high current loads • Extended operations in extreme environments • Not ESD sensitive • Note: Requires a 3W minimum load

Electrical Specifications

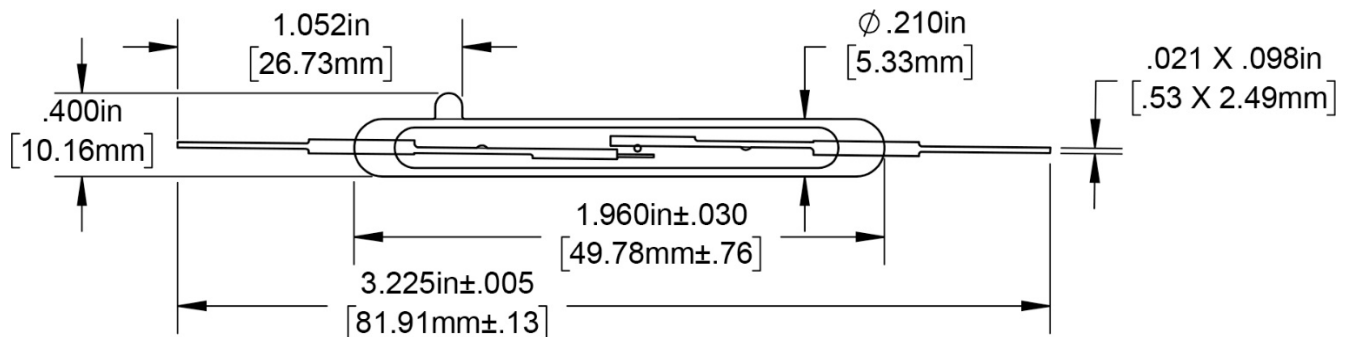
Power		Watts - maximum	200
Voltage (DC)	Pull-In Range (AT)	Breakdown Voltage (DC)	Switching Voltage (DC)
	90-120	8,000	7,000
	100-150	10,000	9,000
Current	Switching	Amp - maximum	3
	Carry	Amp - maximum	4.5
Resistance	Initial Contact Resistance	Ohm - maximum	0.50
	Insulation Resistance	Ohm - minimum	1 E12
Capacitance	Contact	pF - typical	1.1
Temperature	Operating	°C	-60 to +125
	Storage	°C	-100 to +200

Magnetic Specifications

Pull - In Range		Ampere Turns	90-150
Test Coil		NARM RS-421-A	Coil III

Physical/Operational Specifications

Capsule Volume	Excluding Leads	CC - nominal	1.22
Contact Material			Tungsten
Operate Time	Including Bounce	mSeconds - maximum	2.50
Release Time		mSeconds - maximum	1.00



Notes:

- (1) Specifications are not constant across entire magnetic range.
- (2) Customer must exercise care in handling, mounting, lead forming, and cutting to prevent damage to glass capsule and/or switch sensitivity.
- (3) For information about performance, custom configurations, mounting options or packaging contact our Sales department.
- (4) Information contained hereon is for informational purposes only and should not be deemed as accurate for a specific application. Consult factory for specific application information and/or latest revision.