

Item Number HSA-12080 Series Contact Form Latcher Switch Configuration SPDT Rev. N

Form C Bi-Stable Latching Switch

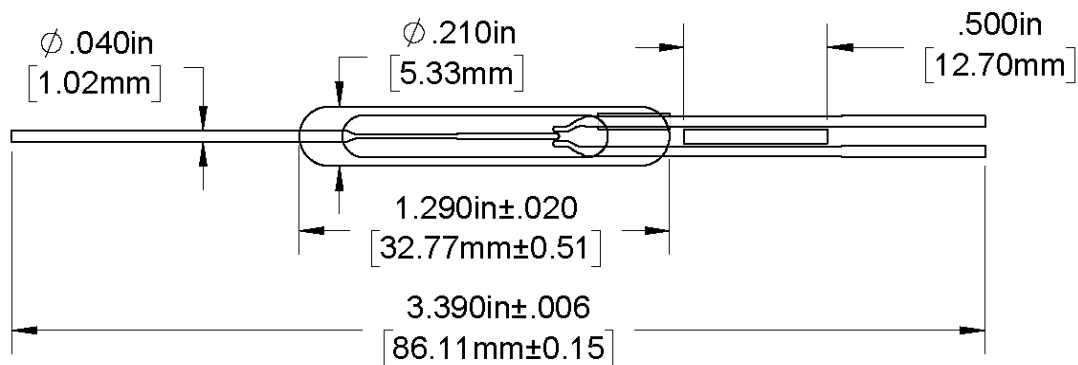
Features	Advantages
<ul style="list-style-type: none"> • UL Recognized Component • Hermetically sealed Rhodium contacts • Magnetically balanced with latching capability • Materials are Lead free and RoHS compliant 	<ul style="list-style-type: none"> • Extended operations in extreme environments • Not ESD sensitive • 130 VAC @ 0.2A Max or 230 VAC at 0.1A Max • Ratings for DC or AC RMS

Electrical Specifications

Power		Watts - maximum	25
Voltage	Switching	VDC - maximum	150
	Breakdown	VDC - minimum	250
Current	Switching	Amp - maximum	1.0
	Carry	Amp - maximum	5.4
Resistance	Initial Contact Resistance	Ohm - maximum	0.10
	Insulation Resistance	Ohm - minimum	1 E9
Capacitance	Contact	pF - typical	3.5
Temperature	Operating	°C - maximum	-40 to +125
	Storage	°C	-40 to +200

Physical/Operational Specification

Volume	Excluding Connection	CC - nominal	20-50
External Connection			Coil III
Must Operate			0.73
Contact Material			Rhodium
Operate Time	Including Bounce	mSeconds - maximum	N/A
Release Time		mSeconds - maximum	N/A



Notes:

- (1) Specifications are not constant across entire magnetic range.
- (2) Customer must exercise care in handling, mounting, lead forming, and cutting to prevent damage to glass capsule and/or switch sensitivity.
- (3) For information about performance, custom configurations, mounting options or packaging contact our Sales department.
- (4) Information contained hereon is for informational purposes only and should not be deemed as accurate for a specific application. Consult factory for specific application information and/or latest revision.
- (5) External magnetic field of proper polarity latches common reed to one of the outputs. Common reed transfers and latches to the other output under external magnetic field of opposite polarity.